

\*For more info about compatibility with other models  
please see the sticker on the skid plate

## TOYOTA HILUX

No.: 5793.1/6 Fuel tank

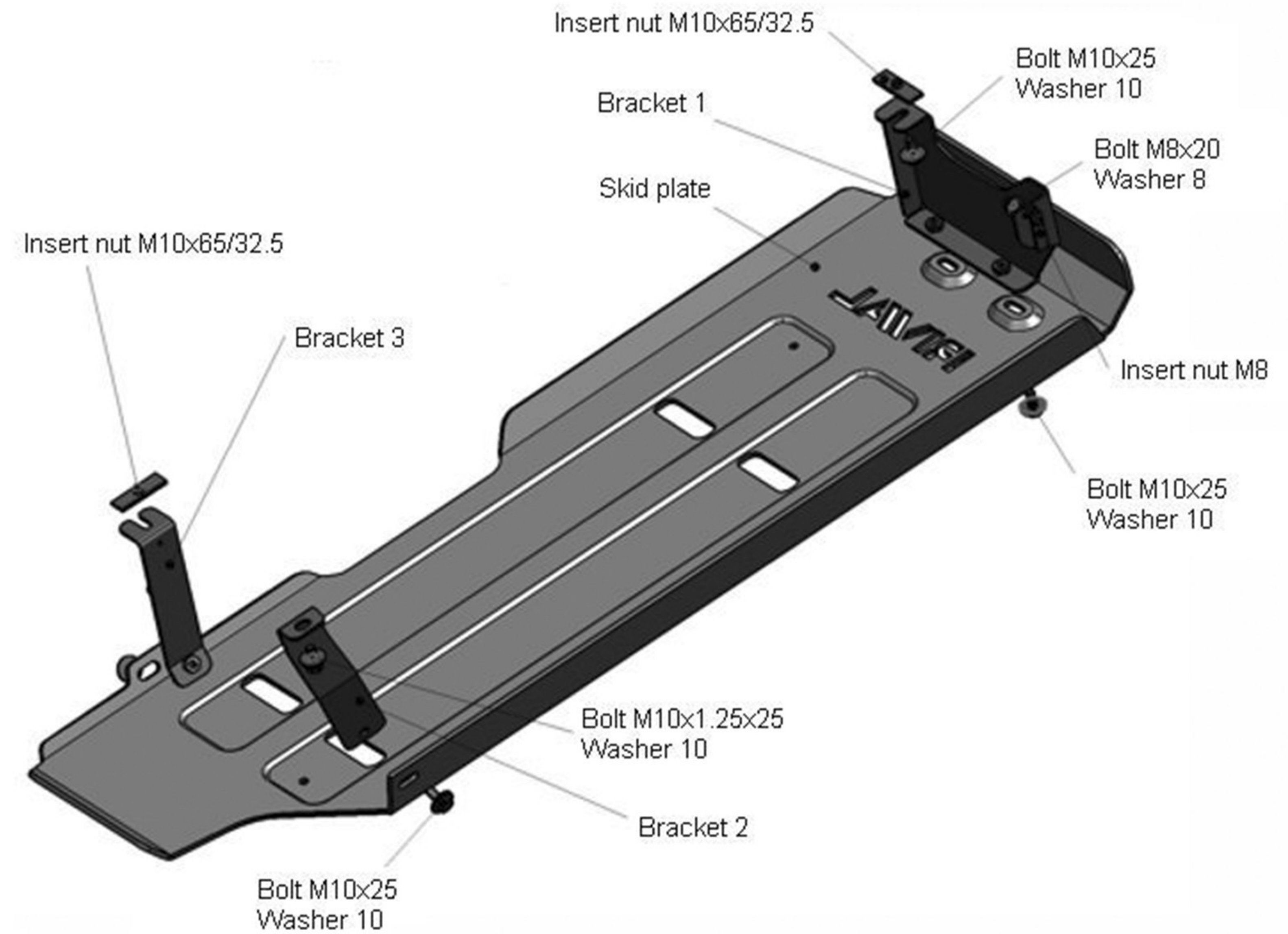
Year: 2005-2015

Engine: 2.5TD; 2.7i; 3.0TD

Transmission: All

## FITTING KIT

1. Bolt M8x20.....	1 pc
2. Bolt M10x25.....	6 pc
3. Bolt M10x1.25x25.....	1 pc
4. Insert nut M8.....	1 pc
5. Insert nut M10x65/32.5.....	2 pc
6. Washer 8.....	1 pc
7. Washer 10.....	7 pc
8. Bracket 1.....	1 pc
9. Bracket 2.....	1 pc
10. Bracket 3.....	1 pc



## INSTALLATION INSTRUCTIONS

1. Remove factory plastic guard.
2. Place insert nut above aperture in underframe near fuel tank, then screw bolt M10x25 into it.
3. Place bracket 1 on mounted bolt M10x25, fix it to underframe with insert nut M8 and bolt M8x20..
4. Place insert nut M10x65/32.5 above aperture in underframe near rear left mount of fuel tank, then screw bolt M10x25 into it.  
Place bracket 2 on mounted bolt M10x25.
5. Fix bracket 3 into original threaded aperture near fuel tank with bolt M10x1.25x25..
6. Fix skid plate to mounted brackets with bolts M10x25.
7. Tighten all screws (50 Nm for M10, 30 Nm for M8, 10 Nm for M6). Do not use pneumatic or power tools to tighten.



WWW.RIVAL4X4.COM