

*For more info about compatibility with other models please see the sticker on the skid plate

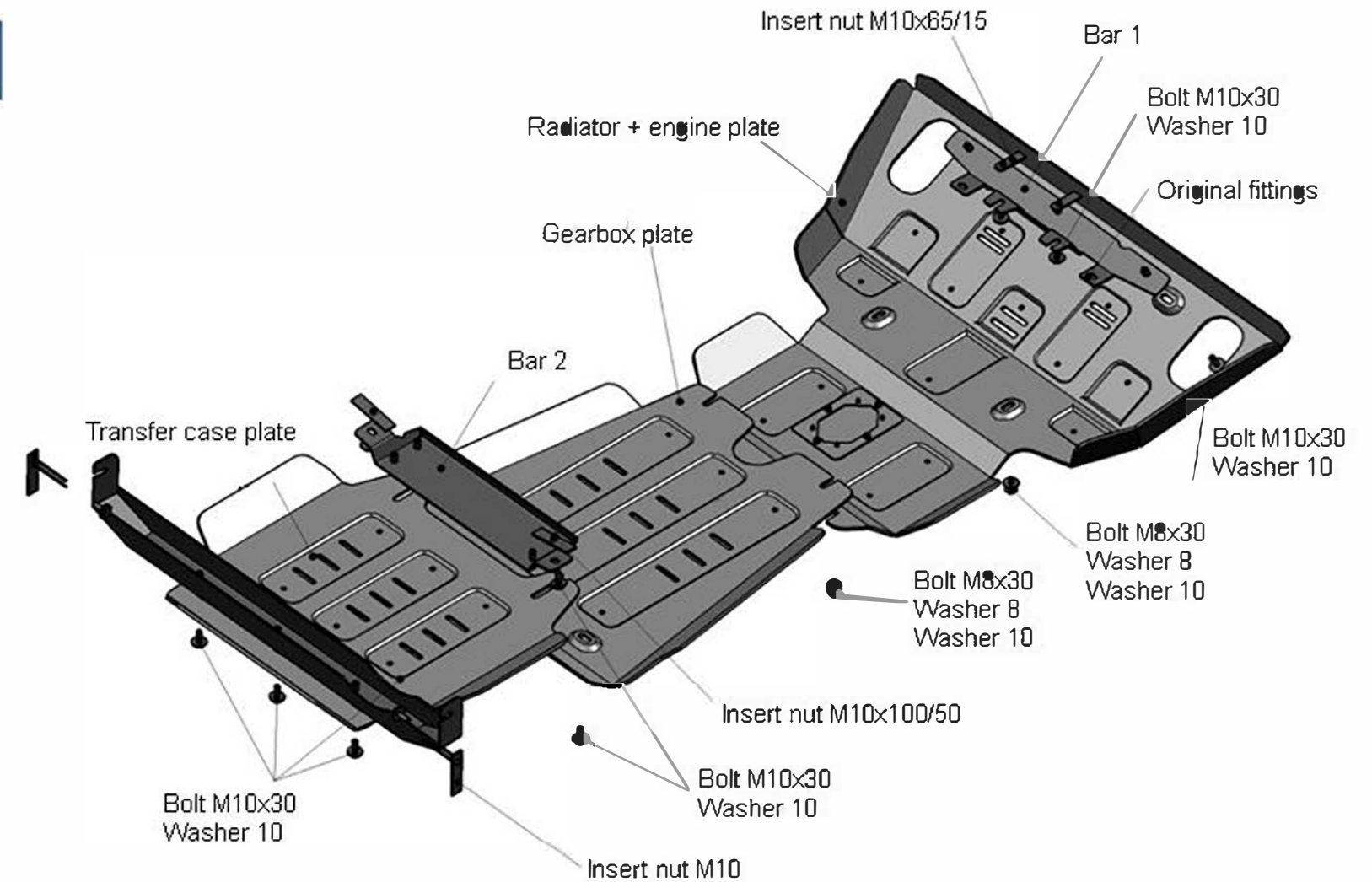
TOYOTA HILUX 4WD

No.: 5790.1/6 Radiator & engine block
5791.1/6 Gearbox 5792.1/6 Transfer case

Year: 2005-2015
Engine: 2.5 TD
Transmission: All

FITTING KIT

1. Bolt M8x30.....	4 pc
2. Bolt M10x30.....	14 pc
3. Washer 8.....	4 pc
4. Washer 10.....	18 pc
5. Insert nut M10.....	2 pc
6. Insert nut M10x65/15.....	2 pc
7. Insert nut M10x100/50.....	2 pc
8. Bar 1	1 pc
9. Bar 2	1 pc
10. Bar 3	1 pc



INSTALLATION INSTRUCTIONS

1. Remove original plastic guards from radiator and engine block.
2. Mount insert nuts M10x65/15 into apertures in front end of underframe, then screw bolts M10x30 into them. Place bar 1 on mounted bolts M10x30 and fix it with original fittings
3. Mount insert nuts M10x100/50 above apertures in cross bar of vehicle, then fix bar 2 to them with bolts M10x30.
4. Take plastic caps off the underframe, then mount insert nuts M10 into apertures. Screw bolt M10x30 into right nut. Fix bar 3 to mounted insert nuts with bolts M10x30.
5. Screw bolts M8x30 into original threaded apertures of underframe, then place rear end of radiator & engine block plate on them. Fix front end of the plate to mounted bar 1 with bolts M10x30. Then fix its middle part to original threaded apertures with bolts M8x30.
6. Place front end of gearbox plate under radiator & engine block plate, then fix its rear end to bar 2 with bolts M10x30.
7. Place front end of transfer case plate under gearbox plate, then fix its rear end to bar 3 with bolts M10x30.
8. Tighten all screws (50 Nm for M10, 30 Nm for M8, 10 Nm for M6). Do not use pneumatic or power tools to tighten.

